

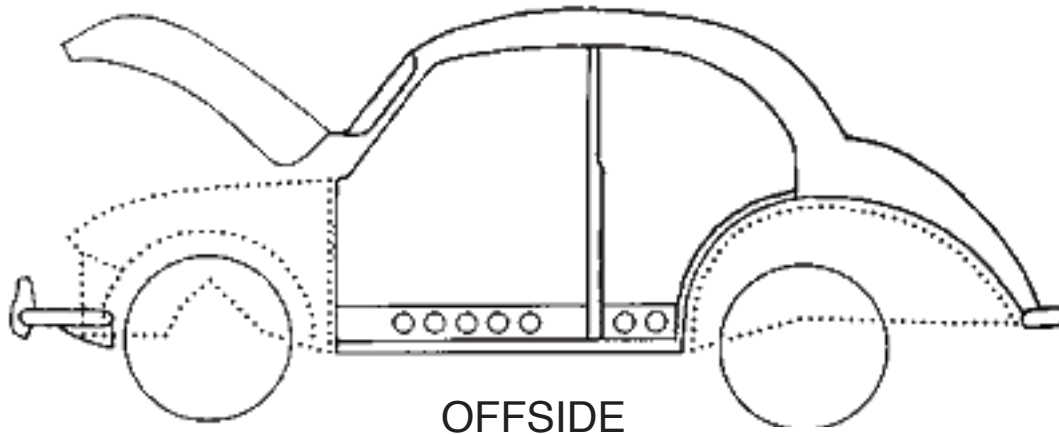
4-DOOR SALOON



LOWER BODYWORK/CHASSIS

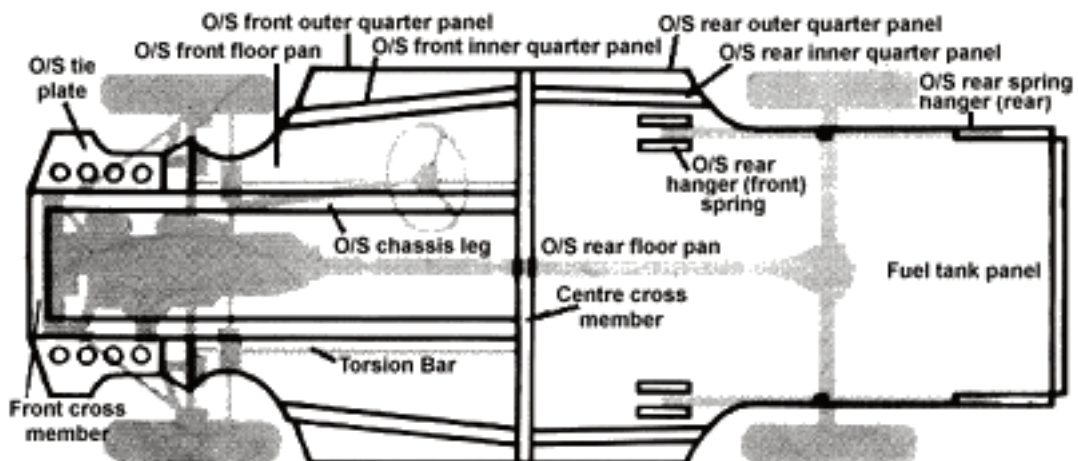
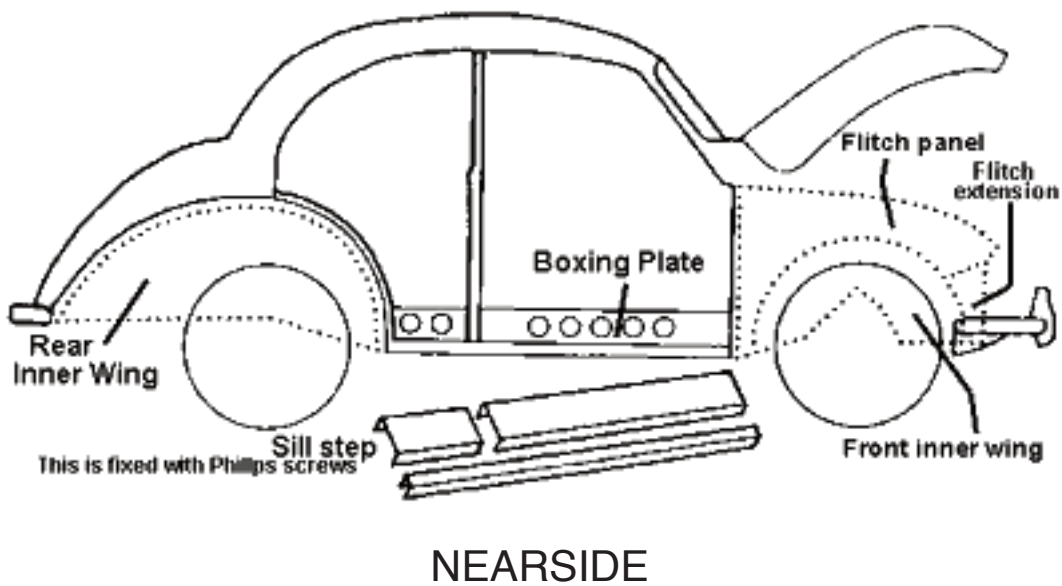
These drawings show the shell as if the wings and doors had been removed. Mark in weaknesses or repairs in these areas.

Obviously, it is unnecessary to take off the wings to study the condition of the front and rear inner wings, but it is important to take off the sill steps and finishers in order to correctly assess the condition of the centre of the car.



Sill finisher: This comes off first it is bolted on.

N.B. To understand the true condition of the Boxing plate area, these panels must be unscrewed and unbolted



Please complete and return this form to:

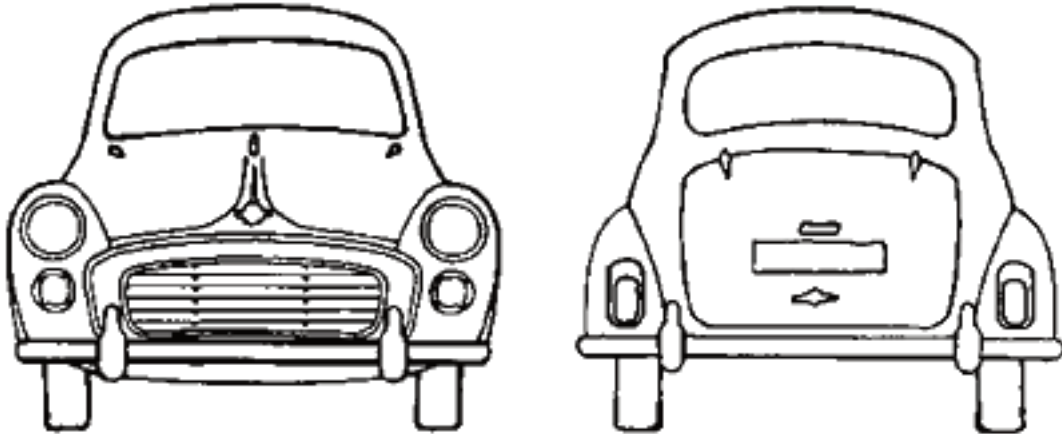
Charles Ware's Morris Minor Centre, 20 Clothier Road, Brislington, Bristol, BS4 5PS

4-DOOR SALOON

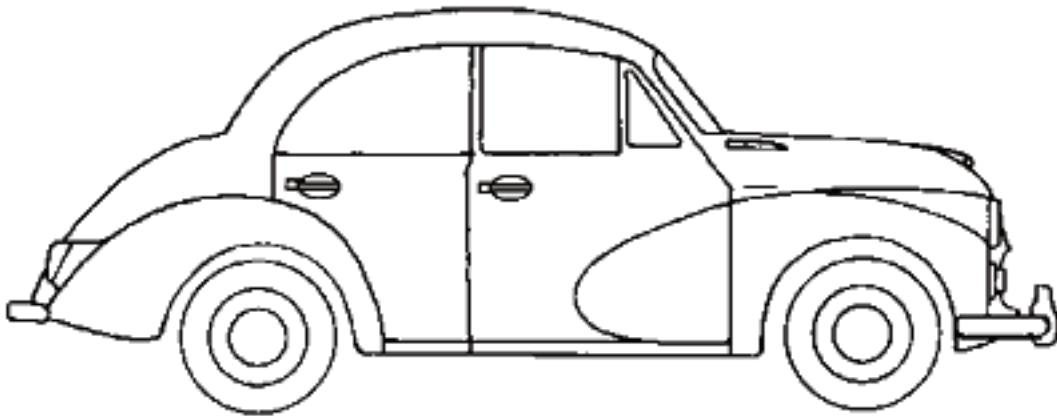


Name:	
Address:	
Postcode:	Tel No:
Reg No:	Colour:

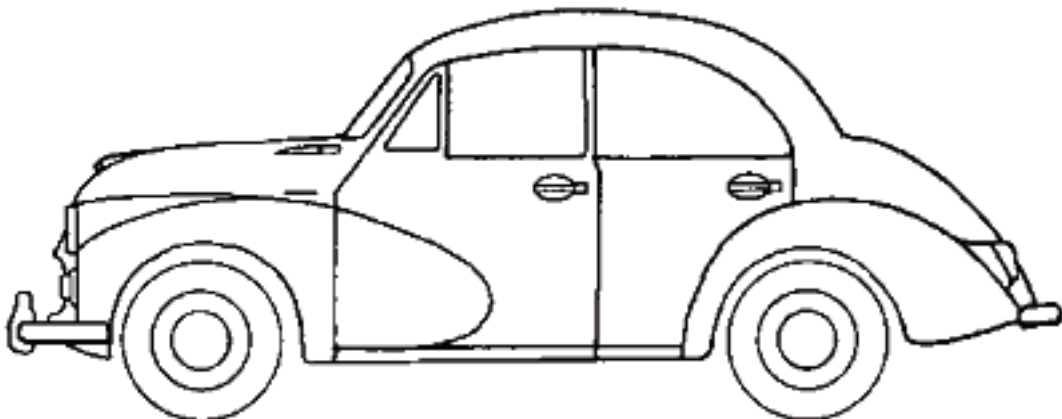
UPPER BODYWORK



FRONT AND REAR



OFFSIDE



NEAR SIDE